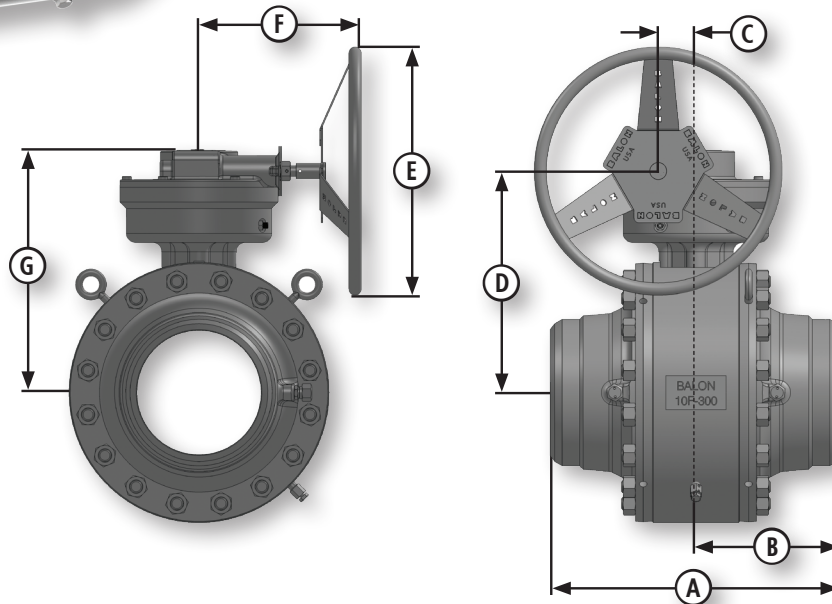


Series T Trunnion Valves Butt Weld Ends

Series T Carbon Steel



- 100% Made in USA
- 10" and 12" ANSI Class 150 & 300
- 4" through 12" ANSI Class 600
- Bolted Body Construction
 - Certified Low Emission Per API 641
 - Certified Fire Safe per API 6FA
 - Exclusive Balon Gearbox
 - ✓ Suitable for Buried Service
 - ✓ Stainless Steel Input Shaft Standard
 - ✓ Stainless Steel Directional Indicator
 - ✓ Integral Locking Device Standard
 - ✓ Manufactured in our Oklahoma City Plant
- Multi-Seal Seats (See page B-5)
- Temperature rating of -20° to 250°F
- Available in Low-Temp Service to -50°F



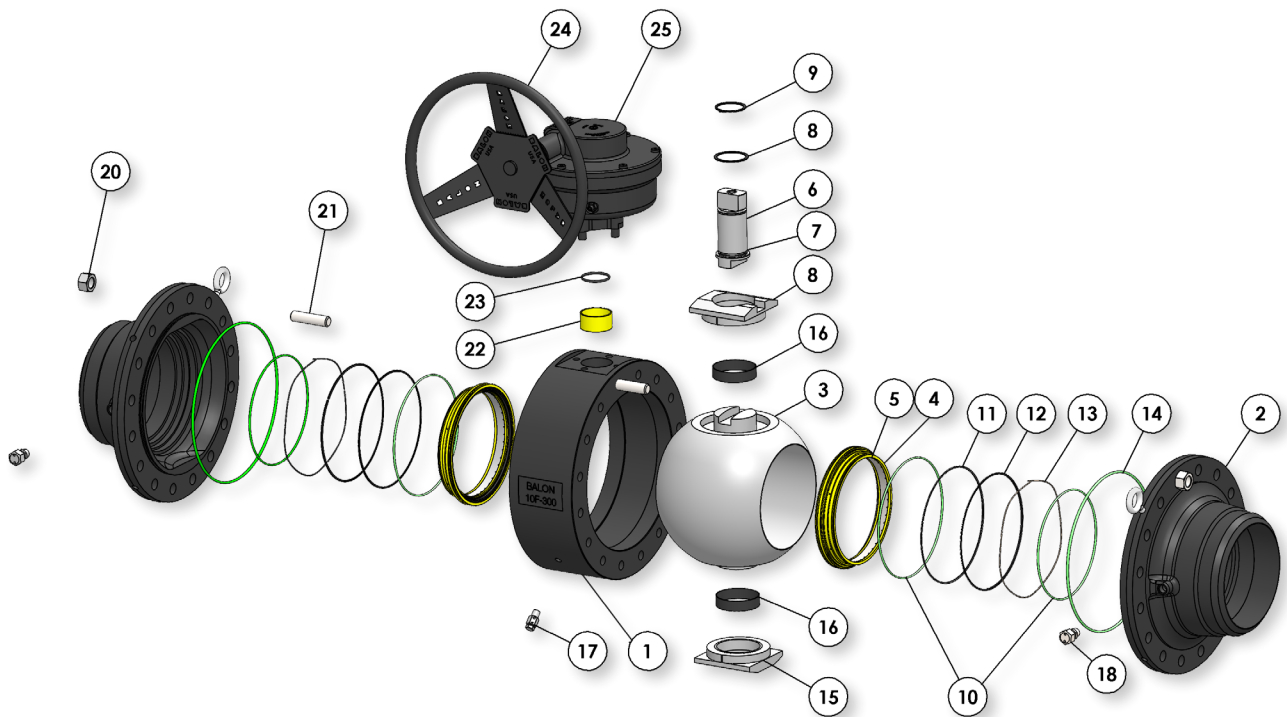
Dimensional Data

SIZE	CATALOG NUMBER		PORT	A	B	C	D	E	F	G	LBS.
	NACE TRIM CARBON STEEL BALL & STEM*	NACE TRIM 316 SS BALL & STEM*									
10x10x10	10F-T13CN-BW	10F-T13SN-BW	10	23.50	11.75	5.25	13.26	20	11.36	15.05	843
12x12x12	12F-T13CN-BW	12F-T13SN-BW	12	26.50	13.25	3.05	18.85	20	13.06	20.55	1458
10x10x10	10F-T33CN-BW	10F-T33SN-BW	10	23.50	11.75	3.05	17.83	20	13.06	19.55	1007
12x12x12	12F-T33CN-BW	12F-T33SN-BW	12	26.50	13.25	3.05	18.85	20	13.08	20.55	1475
4x4x4	4F-T63CN-BW	4F-T63SN-BW	4	14.00	7.00	3.04	8.06	14	8.75	9.68	230
6x6x6	6F-T63CN-BW	6F-T63SN-BW	6	18.00	9.00	4.06	9.69	20	11.19	11.31	430
8x8x8	8F-T63CN-BW	8F-T63SN-BW	8	21.50	10.75	5.25	11.75	20	11.56	13.68	843
10x10x10	10F-T63CN-BW	10F-T63SN-BW	10	23.50	11.75	3.05	17.83	20	13.27	19.55	1078
12x12x12	12F-T63CN-BW	12F-T63SN-BW	12	26.50	13.25	3.05	19.56	26	13.28	21.25	1815

* Also available in Weld x Flange
Available in low temp at -50° to 250°F. Call factory for details.

Series T Trunnion Valves Butt Weld Ends

Series T Carbon Steel



Material Description

ITEM	PART NAME	CARBON STEEL NACE	STAINLESS STEEL NACE
1	Body	ASTM A105, Normalized	ASTM A105, Normalized
2	Adapter	ASTM A350 LF2 40K SMYS	ASTM A350 LF2 40K SMYS
3	Ball	Carbon Steel Nickel Chrome Plated	316 Stainless Steel
4	Seat Carrier	Carbon Steel Nickel Chrome Plated	316 Stainless Steel
5	Seat Insert	Nylon 11/Acetal	Nylon 11/Acetal
6	Stem	Carbon Steel	316 Stainless Steel
7	Stem O-Ring	Fluorocarbon	Fluorocarbon
8	Stem Thrust Washer	TFE	TFE
9	Snap Ring	Carbon Spring Steel	Carbon Spring Steel
10	Seat O-Ring	Fluorocarbon	Fluorocarbon
11	Fireseal	Graphite	Graphite
12	Fireseal Support Ring	Stainless Steel	Stainless Steel
13	Spring	Inconel X-750	Inconel X-750
14	Body O-Ring	Fluorocarbon	Fluorocarbon
15	Bearing Block	Carbon Steel	Stainless Steel
16	Trunnion Bearing	316 SS/TFE	316 SS/TFE
17	Bleed Fitting	316 Stainless Steel	316 Stainless Steel
18	Sealant Injection Fitting	Alloy Steel	Alloy Steel
19	Internal Check Fitting	316 Stainless Steel	316 Stainless Steel
20	Nuts	ASTM A194 2HM	ASTM A194 2HM
21	Studs	ASTM A193 B7M	ASTM A193 B7M
22	Stem Bearing	Glass/TFE	Glass/TFE
23	Gear Operator O-Ring	Fluorocarbon	Fluorocarbon
24	Handwheel	Carbon Steel	Carbon Steel
25	Gear Operator	Ductile Iron	Ductile Iron